

Perfect for smaller spaces: The Countertop 1.5 water cooler

Bevi's new smaller yet mightier smart water dispenser for countertop spaces. A sleek design, with the plumbing hidden in your cabinet. Designed to fit into most existing countertop drill holes.

What do you get?

- Still, sparkling, flavored, and enhanced water
- Dispenses 4 flavors and enhancements, plus get an extra selection featuring limited-edition seasonal beverages*
- Mix up to 3 flavors and enhancements for fun combinations
- Real-time remote monitoring means timely and easy refilling and maintenance
- On-screen and remote sustainability and usage reporting



Find your match

The Countertop 1.5 water cooler is available in both black and white to complement whatever color theme or aesthetic you've got going on.

Get your quote now! Call your sales representative or send us a note at sales@bevi.co



BEVI.CO
@GETBEVI

*The limited-edition seasonal beverage button will only show up on the screen if the flavors or enhancements that make up that seasonal offering are installed. Reach out to your Bevi sales representative to learn more.

Getting your Countertop 1.5 Set-up

Plumbing:

- Dedicated 3/8" plumbing line, rated for a minimum of 140 psi
- Minimum supply pressure of 40 psi and 4.0 liters per minute flow rate

Electrical:

- 110-120 VAC, 60 Hz, min 10A circuit breaker • GFCI protected 3 prong outlet (preferably above counter)

Countertop Space:

- Countertop Unit Dimensions: 10" W x 18.5" H x 11" D
- 1-1/4" diameter hole in the counter, directly over the placement of chiller/carbonator.

Cabinet Space:

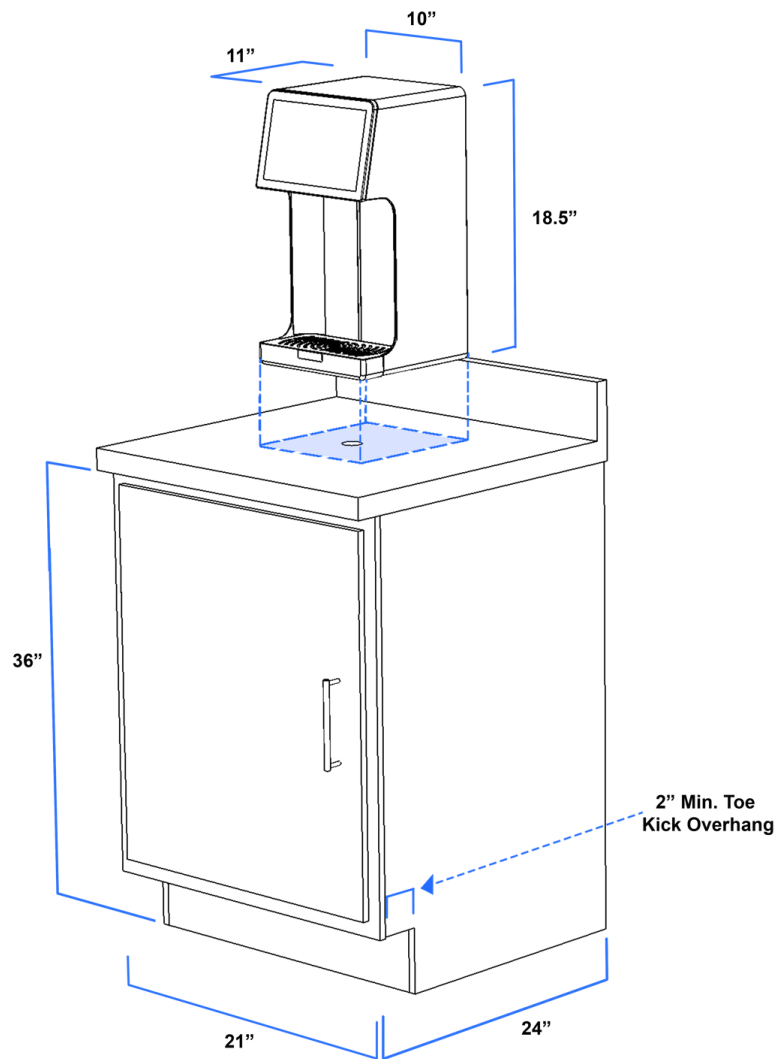
- Fits a standard single cabinet 21" W x 24" D x 36" H and requires a minimum 2" toe kick overhang. Interior clearance must be at least 18" W x 22" D x 22" H.
- Floorless cabinets require a chiller ventilation stand (sold separately).
- All dimensions are based on accommodating CO₂ tanks up to 10 lbs. For alternate layout configurations, please refer to the full installation guide.

Internet Connection:

- Supports WiFi (2.5GHz and 5GHz), ethernet, and cellular (built-in) connection. Machine needs to be connected to one of these options to enable smart functions of the Bevi.

Accessibility:

- The Countertop 1.5 can meet ADA reach requirements. Refer to the ADA guide available for proper installation.



Running out of space? No problem! We have a recommendation for a cabinet that fits all of the Countertop 1.5's hardware.

Prepac Elite 32" Storage Cabinet

- Cost: ~ \$160.00
- Dimensions: 32" W x 36" H x 24" D



BEVI.CO
@GETBEVI

Get your quote now! Call your sales representative or send us a note at sales@bevi.co