
[Guide] Bevi Countertop - New Backflow Preventer Installation

Overview

This guide will walk through the steps to remove the backflow preventer from a Bevi Countertop, and install an updated version of the backflow preventer.

- *Previous versions of the backflow preventer were non-vented and compliant to ASSE 1032. The updated part includes a vent, and is compliant to ASSE 1022.*
- *The updated backflow preventer is located in the same place as the old part, and should not change the routing or functionality of the water path in the machine.*



Required Tools & Materials

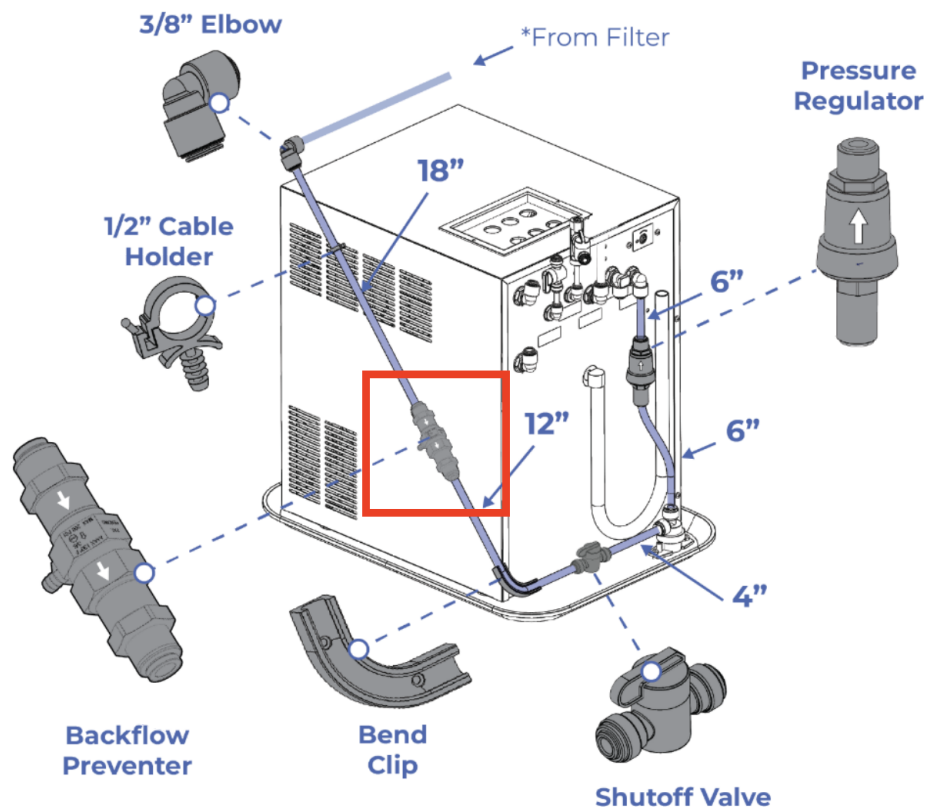
- New Backflow Preventer (FRU Part Number #720-0253)
- Tubing cutters
- Zip Ties
- Optional - Small bucket or container

Task 1: Depressurize the water system

1. Locate the shut off for the water supply to the Bevi.
2. Turn off the water supply.
3. Place a container under the dispense nozzle.
4. From the Dispense Screen, pour cold water to release pressure in the tubes.

Task 2: Remove the old backflow preventer

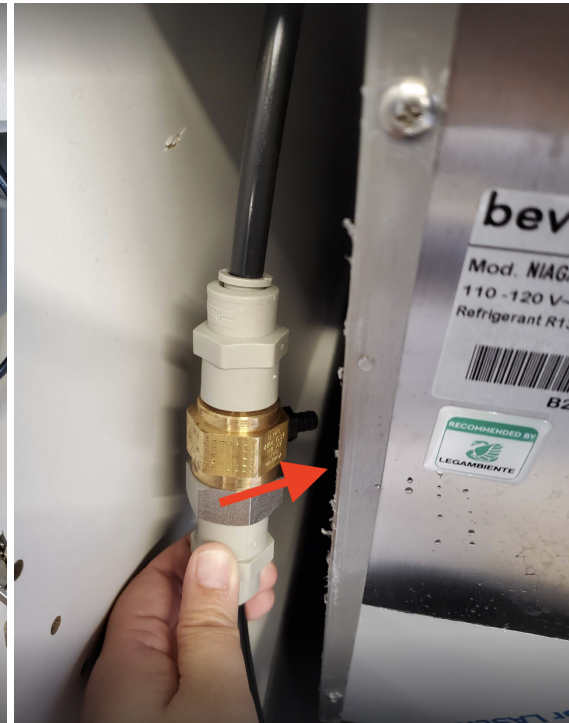
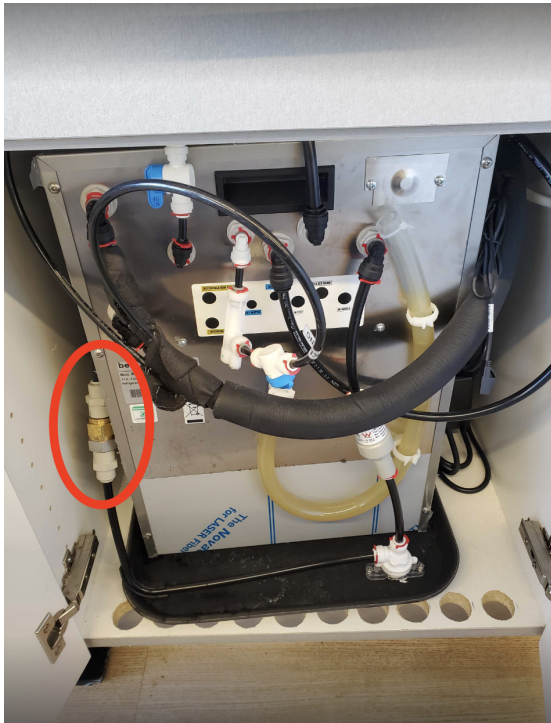
1. Locate the backflow preventer
 - a. It should typically be installed on the side of the carbonator, between the filter and the leak detection valve on the carbonator tray.
 - b. Due to the varying installation setups of Countertop Bevi machines, the backflow preventer may be in another location, or not present at all.



2. Remove the red locking clips from the fittings, and disconnect the $\frac{3}{8}$ " tubing from the back flow preventer.
 - a. The old backflow preventer will not be reused.

Task 3: Install the new backflow preventer

1. If the water supply routing matches the image from the previous step, then you can install the new backflow preventer in the same location.
 - Reconnect the two $\frac{3}{8}$ " tubes to the input and output of the backflow preventer.
 - Ensure the tubing is fully seated into the push to connect fittings
 - Reinstall the red locking clips.
 - The backflow preventer is directional. There is an arrow indicating the flow direction on the brass fitting in the center of the backflow preventer.
 - Ensure that the vent port on the backflow preventer is over the carbonator tray.



2. If the water supply routing is different from the specifications listed above, then the backflow preventer may need to be installed in a different location.
 - The backflow preventer should be installed on the water line in between the filter, and the leak detection valve on the carbonator tray.
 - If the backflow preventer cannot be installed over the carbonator tray, you will need to use the supplied vent tubing.
 - Route the vent tubing into a small bucket or container secured in the cabinet.

Task 4: Turn on the water supply

1. Once the new backflow preventer has been installed, turn on the water supply to the Bevi. **Inspect all plumbing connections for leaks.**
2. From the dispense screen, pour cold and sparkling water to ensure the Bevi is functioning properly.
 - If no water is dispensing:
 - Verify the new backflow preventer is installed in the correct orientation.
 - Inspect the carbonator tray for any water. If there is water present in the tray, it may have tripped the leak detection valve. If so, replace the cartridge and reset the valve.
3. If the machine is dispensing properly and no leaks are present, then the installation is complete.

If you have any questions or need additional assistance, please contact Bevi Support at support@bevi.co or 1-866-704-2384