



The smart bubbly
water dispenser

bevi.co



Why Bevi?[®]



Goodness in every sip

Staying hydrated never tasted so good with our always natural, zero- and low-calorie flavors.



Hydration simplified

Eliminate the hassle of restocking single-use bottles and cans with the power of smart technology.



Cheers to a greener world

Your Bevi[®] machine can save 50,000+ bottles and cans a year.

SEE BEVI[®] IN ACTION



Our Smart Water Coolers[®]

UPGRADE YOUR SPACE

The Standup 2.0

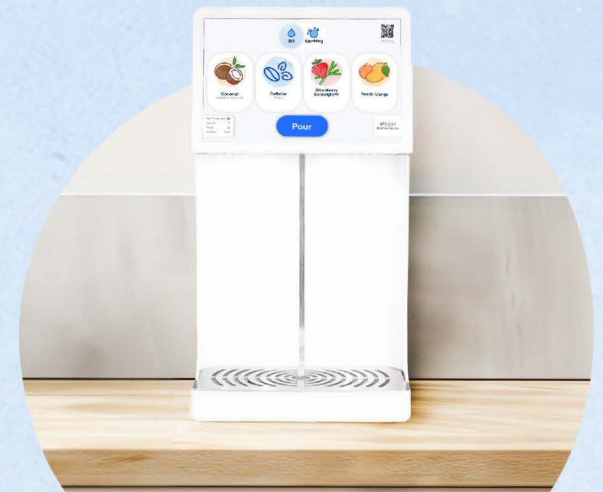
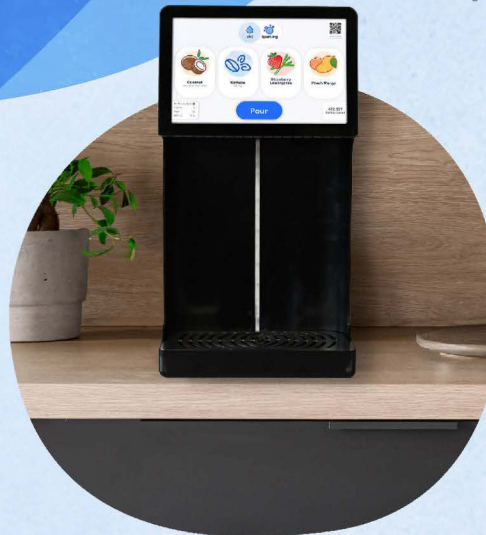
- Enjoy filtered still, light sparkling, and sparkling water
- Pick from a range of temperatures: cold, ambient, or hot water
- Relish in ultimate variety with 8 flavors and enhancements
- Mix up to 3 flavors and 2 enhancements to craft your perfect drink
- Experience an expansive, easy to use 15.5" touchscreen
- Fills bottles up to 12"



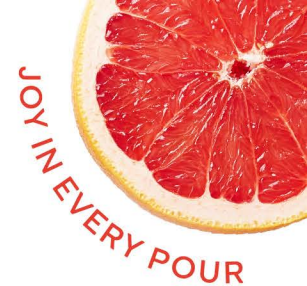
PERFECT FOR SMALLER SPACES

The Countertop

- Keep all of the plumbing tucked away in a cabinet—and the experience of pouring up top
- Enjoy filtered still or sparkling water
- Delight in 4 flavors and enhancements, mix up to 3
- Experience an intuitive 10" touchscreen
- And your 10" tall water bottles are welcome too!



How it works:



1 Choose your bubbles

All water passes through our state-of-the-art carbon filters which are designed to remove microplastics, bacteria, chlorine, and other unwanted elements from tap water.

2 Choose your temperature

Enjoy water chilled to a crisp 38 degrees. The Standup 2.0 also includes hot and ambient options, ready for any time of day or mood you're in.

REVIEW NUTRITIONAL INFORMATION

Wondering what's in your beverage? Nutrition facts are a tap away.

LEARN MORE

See how many bottles you saved, your most popular flavors, and more.

3 Choose your flavors & enhancements

Handpick from a large variety of always natural, zero- and low-calorie flavors. Vegan, kosher certified, and free from sodium and gluten.

*Contingent on the supply of potable drinking water to the filter.

All-day hydration, endless combos

An array of flavors sure to make everyone smile. Choose a classic or mix flavors together for something all your own. Need a boost? Add an enhancement like Caffeine or Electrolytes. Explore more about Bevi's flavors at [Bevi.co/flavors](https://bevi.co/flavors)



Pomegranate
Blueberry



Peach Mango



Cucumber



Blood Orange



Electrolytes



Watermelon



Strawberry
Lemongrass



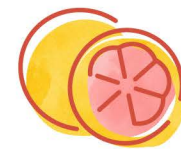
Lime Mint



Black Cherry



Coconut



Grapefruit



Raspberry



Vitamin
Boost



Lemon



Caffeine

Made in the USA!

Our beverages are all proudly crafted in America, ensuring the highest standards of quality.

Installing your Smart Water Cooler®

From setting it up to keeping it running smoothly, Bevi® takes care of it all with smart features and remote monitoring to give you peace of mind.

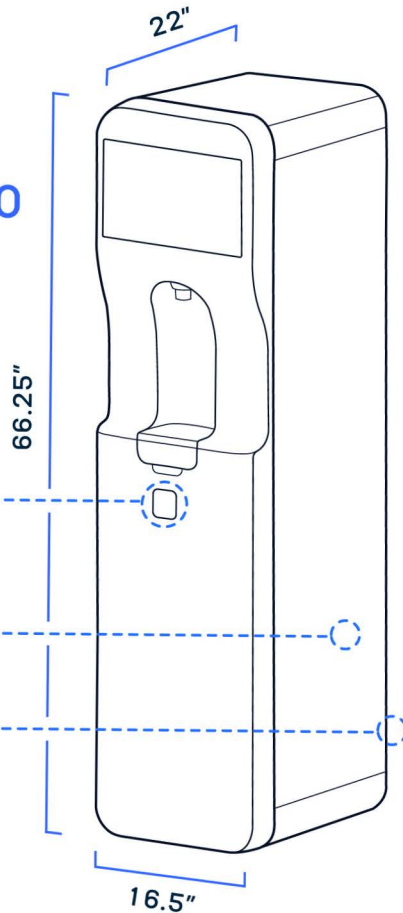
- Bevi® and our suppliers know when you're running low on flavors and enhancements.
- See consumption trends to know what people love or what they'd like swapped out.
- Your smart water cooler alerts your Bevi® service provider when it needs attention.

The Standup 2.0

Meets ADA physical requirements

Access to 1/4" outer diameter water line and 110-120VAC electrical outlet

Clearance requirements: 1" around the sides, 2" in the back, 3" on the top



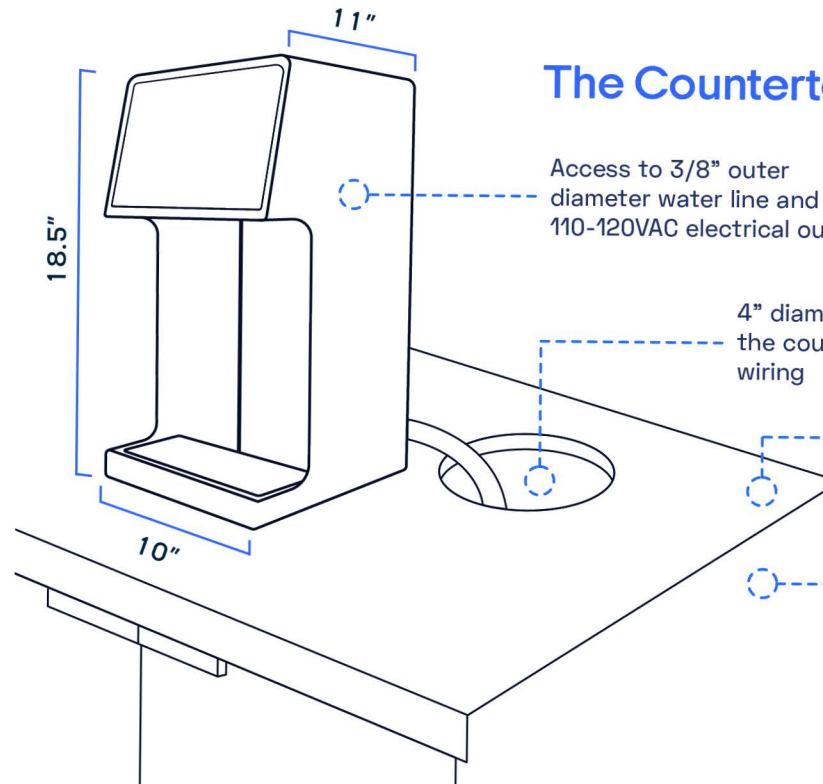
The Countertop

Access to 3/8" outer diameter water line and 110-120VAC electrical outlet

4" diameter hole through the countertop to route wiring

Can meet ADA reach requirements*

For hidden plumbing, a total of 34" wide / 28" tall / 24" deep of cabinet space is required



* • The distance between the ground and counter must be 30" or less
• The Countertop must be installed flush with the front edge of the counter

What's all the fizz about?



ALSO LOVED BY:

HYATT® Uber

NETFLIX GREYSTAR

 Tripadvisor.

“Bevi’s commitment to helping our employees stay healthy while lessening their environmental footprint aligns with our commitment to creating global change through local and individual action.”

 **MIKE MATTERA**
Akamai

“Bevi is now in all our kitchens at Lyft HQ. Previously we stocked other flavored waters, both still and sparkling...and we have saved over 310,000 bottles!”

 **MATT MOHAMED**
Lyft

“We believe in putting ingredients first and living a healthy lifestyle. We wanted to offer something... that was not only delicious, but also better for you than your standard soda. That’s why we chose Bevi.”

1 **CHRIS CRARY**
HOTEL 1 Hotel Nashville