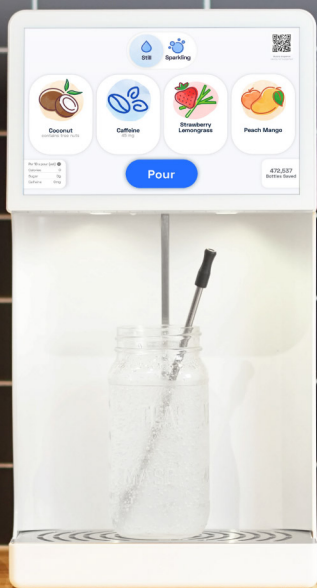




Still, sparkling, flavored, and enhanced water just the way you like it—on-demand and without the waste.



hydrate
happy™

bevi.co

Get the Goodness of Bevi



An amenity everyone loves

Water that delivers personalized flavor, well-being, and fun times in every pour.



Unbottle the future

Reduce your carbon footprint—every Bevi machine can save 50,000+ bottles and cans per year.



Cut your costs

Bevi typically costs less than half the cost of canned and bottled water.



Boost wellness

Quality ingredients that keep you hydrated without compromise.

The Countertop

The Countertop fits nicely into any smaller designed space. Virtually all of the plumbing and hardware is intergrated into the base cabinets, so all you see is a compact dispenser on the counter. Options include still and sparkling water and four slots for flavors and enhancements. We recommend a configuration of 3 flavors and 1 enhancement at a time. Available in classic white and sleek black.



How it Works

1 Choose your water



Still



Sparkling

Select still or sparkling. The water passes through top-grade activated carbon filters. With pores 1/2000th of a millimeter, our filters are designed to remove chlorine, organic contaminants, pesticides, and microplastics.

2 Choose your flavor and enhancements



Electrolytes



Vitamin Boost



Caffeine



Key Lime



Grapefruit



Lemon



Coconut



Strawberry Lemongrass



Watermelon



Black Cherry



Blackberry Lime



Cucumber



Lime Mint



Peach Mango



Raspberry



Pomegranate Blueberry



Blood Orange

Our zero and low-calorie flavors and enhancements are made with quality ingredients. Our flavors are also vegan, kosher certified, and free from sodium and gluten. Mix and match flavors and enhancements or add enhancements to plain water to create your favorite combinations. Combine up to three flavors or enhancements into any beverage at a time.

3 Enjoy!

The Specs

Touchscreen

Our 10" touchscreen enables an intuitive and easy way to select and customize your drink.

Touchless dispensing



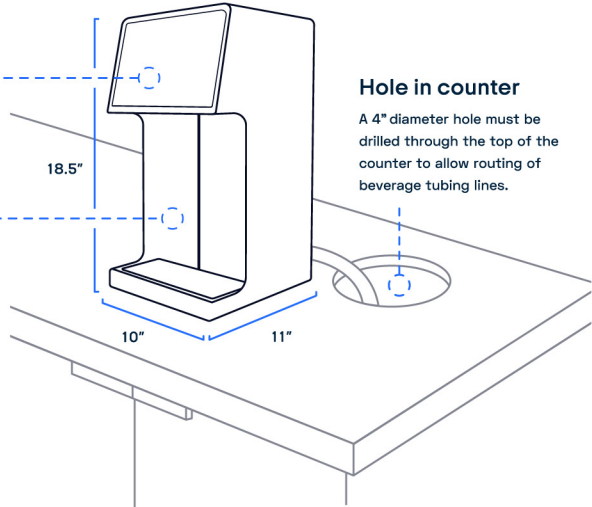
Control your water dispenser from your phone—no app or configuration required. It's like magic.

Refill station

All bottles within 10" height fit easily into the dispenser area. With our single nozzle design, filling up is clean and easy.

We recommend at least two cabinets

- Cabinet 1: 28" tall, 16" wide, and 24" deep
- Cabinet 2: 28" tall, 18" wide, and 24" deep



Hole in counter

A 4" diameter hole must be drilled through the top of the counter to allow routing of beverage tubing lines.

Water/power supply [within cabinet space]

- Standard 3-prong US 120V electrical outlet, draws less than 9 amps.
- 3/8" outer diameter water line.
- Minimum of 50 psi.

**hydrate
happy™**

