



The Countertop

With a flexible design, available in both white and black, the Countertop can complement any kitchen aesthetic. Combine still or sparkling water with up to three natural flavors and uplifting enhancements.



Features you'll love



Goodness in every sip

Choose still or sparkling, adjust flavor strength, and mix up to 3 selections at a time.



Hydration simplified

The power of smart technology means the bubbles and fun never stop thanks to real-time monitoring of flavors, enhancements, and carbonation.



State-of-the-art filtration

Our filters are designed to remove microplastics, bacteria, chlorine and other unwanted elements from tap water to ensure trustworthy and great tasting water in every pour.



Refill station

Room for bottles up to 10" tall makes filling up clean and easy.



Nothing to see here

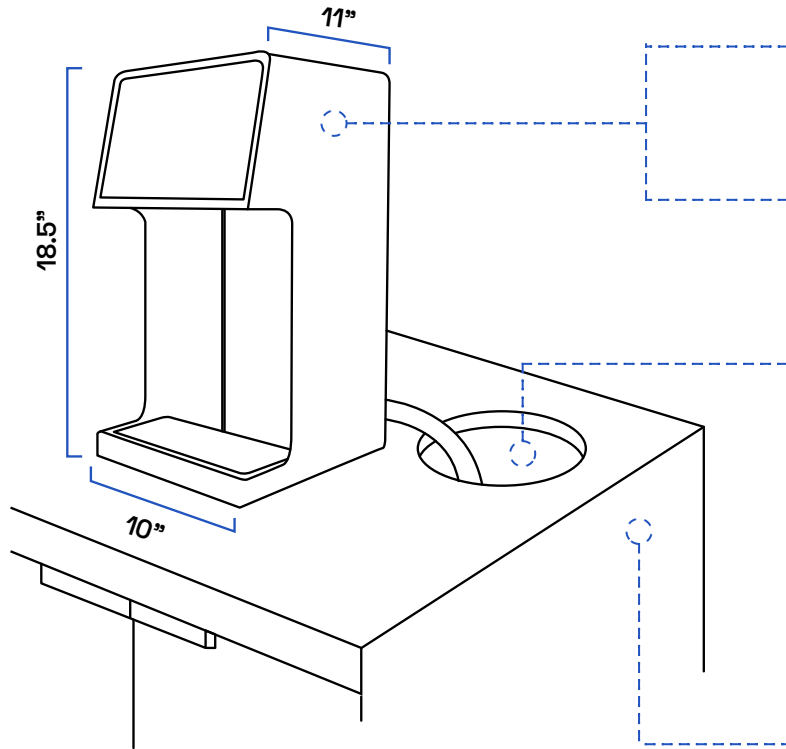
Nearly all the plumbing and hardware are hidden in the cabinets underneath.

Do your part  Please recycle

Site Requirements

To be verified prior to installation

Questions? Contact support@bevi.co



Water supply

- Dedicated $\frac{3}{8}$ " water line, rated for a minimum of 145 psi
- Minimum supply pressure of 50 psi and 5 liters per minute flow

Electrical

- 110-120 VAC, 60 Hz, 9A max current draw
- GFCI protected 3 prong outlet

Custom outfitting

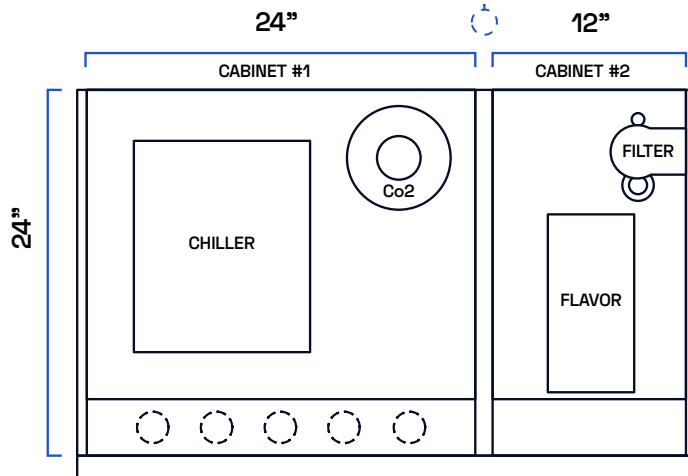
- 4" diameter hole must be drilled through the top of the counter, directly over the chiller and carbonator unit, to avoid overheating
- Center of hole must be more than 5" away from the wall to allow ventilation

Internet connection

- Wireless or Ethernet connection is required for inventory management, product expiration tracking and fresh new UI experiences. Cellular option available.

Two cabinet setup

- Cabinet 1 minimum dimensions: 28" tall, 16" wide, and 24" deep
- Cabinet 2 minimum dimensions: 28" tall, 18" wide, and 24" deep



Certifications

Electrical Safety

- UL 1951: Standard for Safety Electrical Plumbing Accessories
- UL 399: Standard for Drinking-Water Coolers
- CSA C22.2: Refrigeration Equipment

Sanitation

NSF/ANSI 18

Accessibility

- The Countertop can meet ADA reach requirements.
- The distance between the ground and counter must be 30" or less.
- The Countertop must be installed flush with the front edge of the counter.

bevi
hydrate happy.