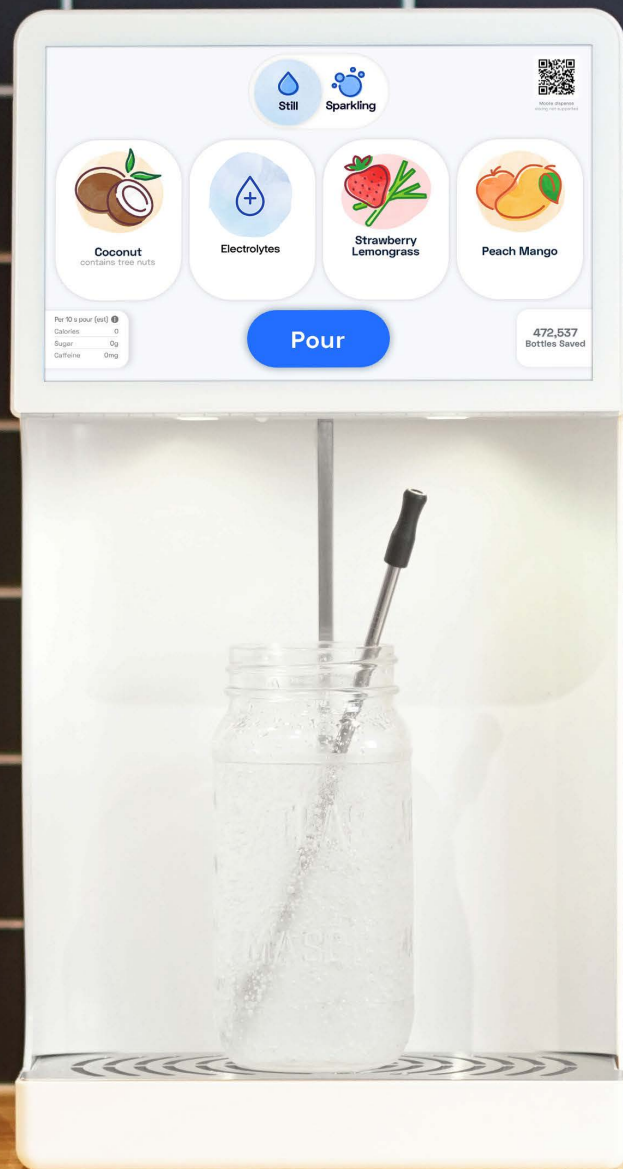




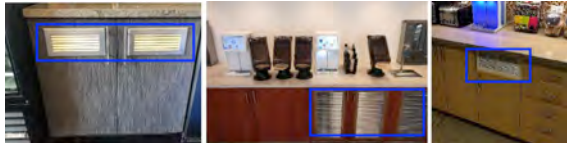


# The Countertop Bevi

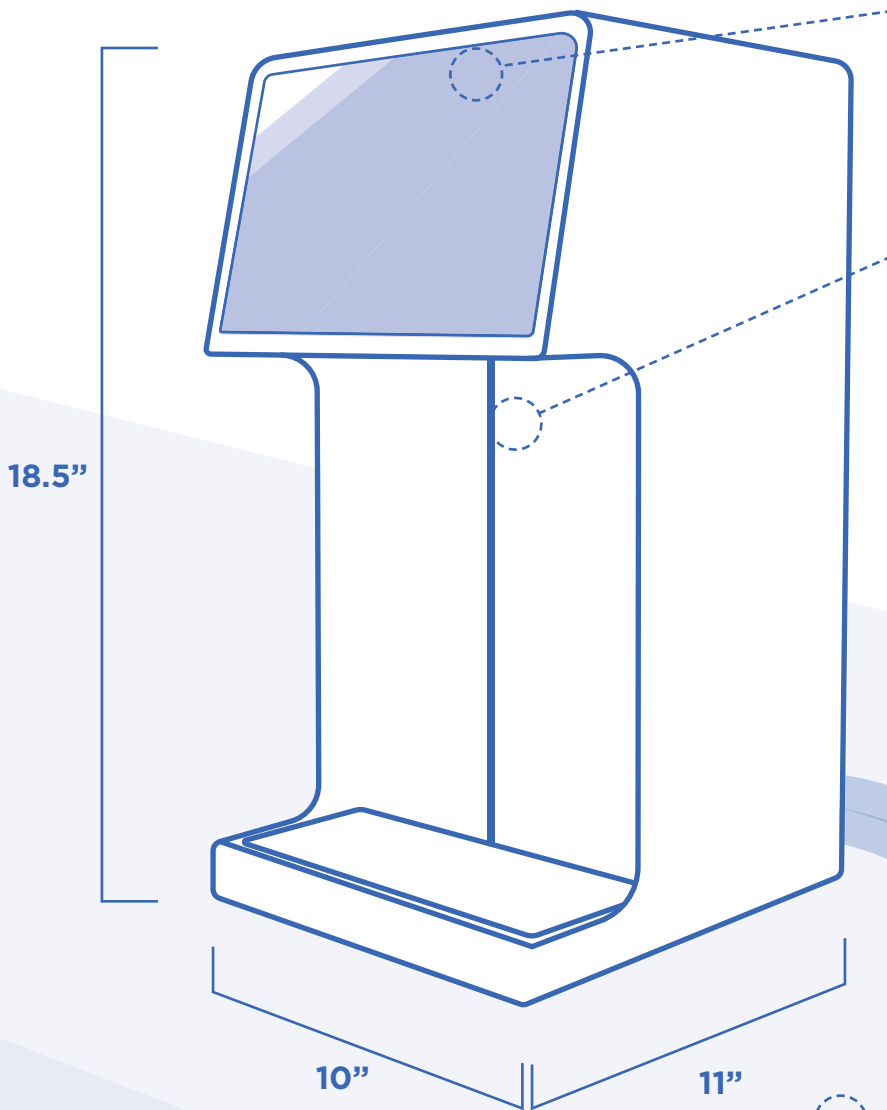
## Requirements



# Pre-installation checklist

Item	Requirements	Examples	Check
Water supply	1x 3/8" outer diameter water line with local shut off valve (minimum water pressure of 60 PSI and 5 liters per minute flow rate)		
Power supply	2x 3-prong 110V-120V outlets (max draw 9 amps), made available inside cabinet where carbonator is installed		
Internet connection	Wireless or Ethernet connection is required to enable the smart functions of Bevi		
Cabinet dimensions	<p><u>Layout option 1, utilizing two cabinets (recommended):</u></p> <p>Cabinet 1 – 28" tall, 16.25" wide, 24" deep (minimum req.)            Cabinet 2 – 28" tall, 18" wide, 24" deep (minimum req.)</p> <p><u>Layout option 2, utilizing one cabinet:</u></p> <p>Cabinet 1 – 28" tall, 34.25" wide, 24" deep (minimum req.)</p>		
Head unit hole for hot air outlet	<p>1x 4" in diameter, with minimum of 5" in distance from back wall to edge of the drilled hole.</p> <p>NOTE: The head unit must sit over the hole. Otherwise, the hot air will not be properly vented outwards.</p>		
Ventilation holes for fresh air inlet	To allow for sufficient fresh inlet airflow, the cabinet where the carbonator is installed must have cutouts in the bottom of cabinets or added door vents. The cutouts or door vents must have a minimal combined surface area of 15 in <sup>2</sup> .	<p>Hidden cutouts in bottom of cabinets:</p>  <p>Door vents for air inlet:</p> 	

# The Countertop Bevi



## **Touchscreen dispense**

This is where a user selects their custom drink: still, sparkling, flavored, or enhanced.

## **Refill station**

Our machine accepts any container. With our single-nozzle design and LED lighting, filling up is easy and clean.

## **Hole through top of counter**

A 4" diameter hole must be drilled through top of the counter to allow routing of beverage tubing lines.

## **Water/power supply (inside bottom cabinet space)**

- Standard 3-prong US 120V electrical outlet, draws less than 9 amps.
- 3/8" outer diameter water line.
- Minimum of 60psi

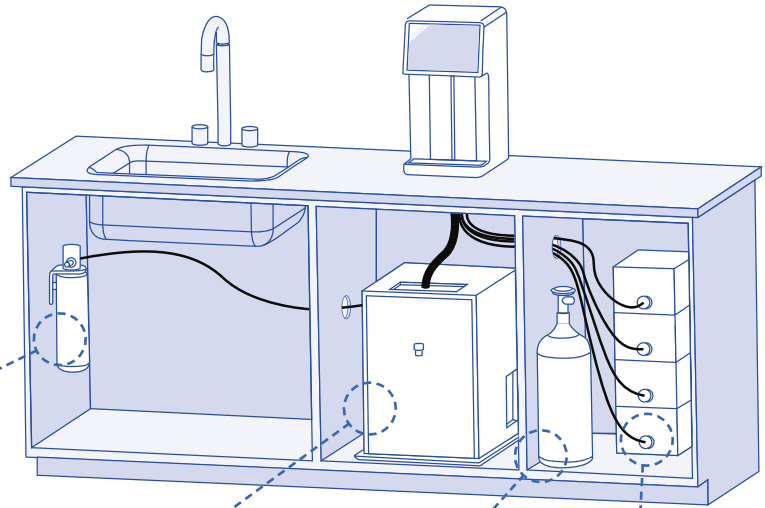
**See next page for details. We recommend utilizing at least two cabinets.**

Cabinet 1: 28" tall, 16.25" wide, and 24" deep  
Cabinet 2: 28" tall, 18" wide, 24" deep

# Components and layout options

## Cabinet Layout Option 1: Installing Bevi inside two cabinets (Recommended).

We recommend utilizing at least two cabinets to separate out the chilling components, which can give off heat. *(Please see tubing drill hole template in this document.)*



### Under Sink:

#### Filter

15 1/2" height  
5" depth  
4.5" width

### Cabinet 1:

#### Chiller Carbonator

22 1/5" height  
16.25" width (with tray)  
24" depth (with tray)

### Cabinet 2:

#### CO<sub>2</sub> Tank

22 1/5" height  
6" width  
6" depth

### Cabinet 2:

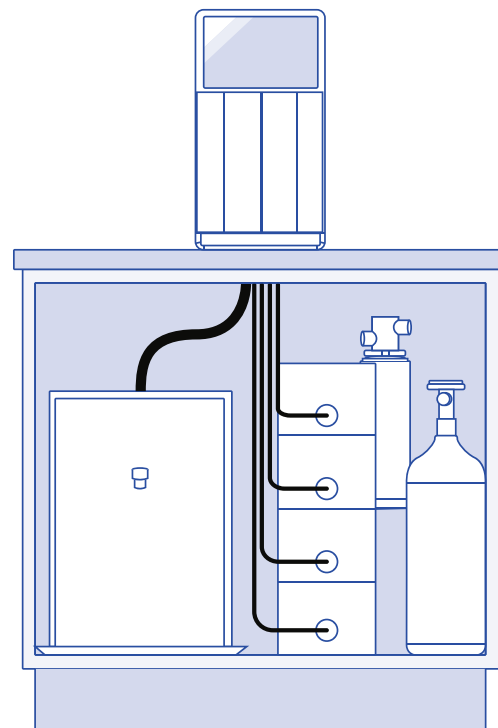
#### Flavors

20" height  
6" width  
14" depth  
(flavor container sizes vary)

## Cabinet Layout Option 2: Installing Bevi inside a single cabinet.

If two or more cabinets are not available for component allocation, we recommend a layout similar to the one depicted on the right. A cabinet space of 28" tall, 34.25" wide, and 24" deep is recommended for a single cabinet setup.

*(Please see tubing drill hole template in this document.)*



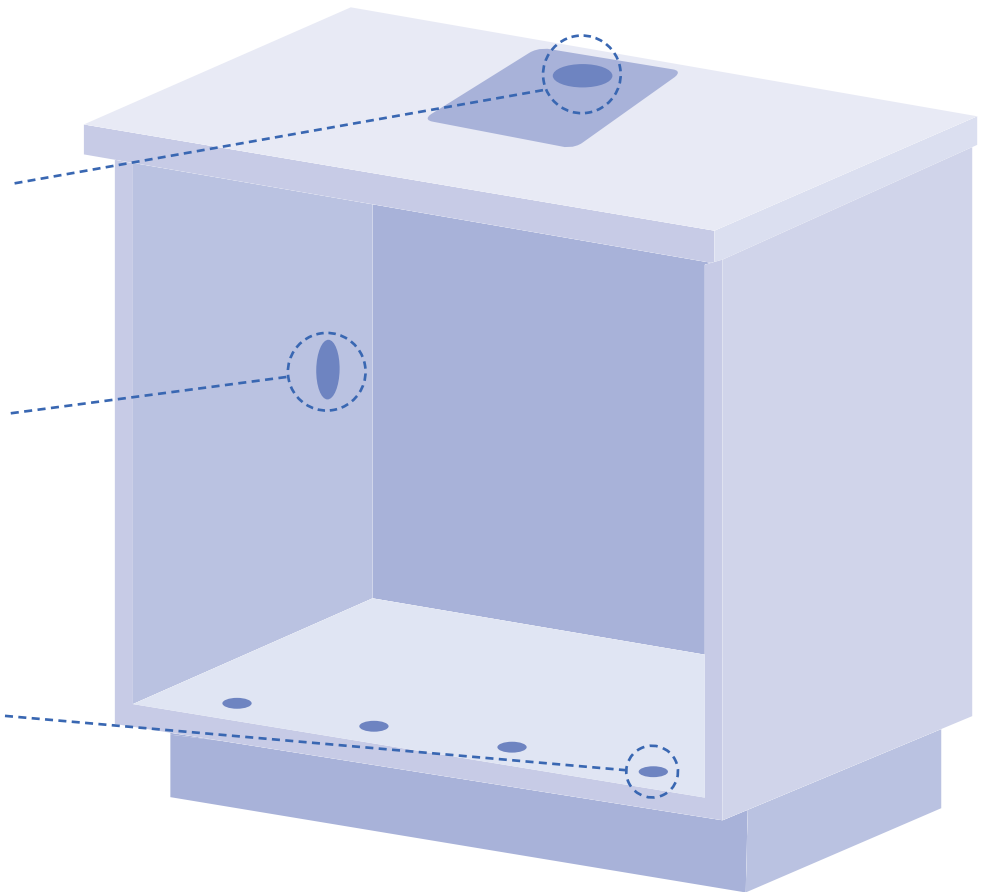
# Ventilation

## Cutouts for ventilation and routing of tubing

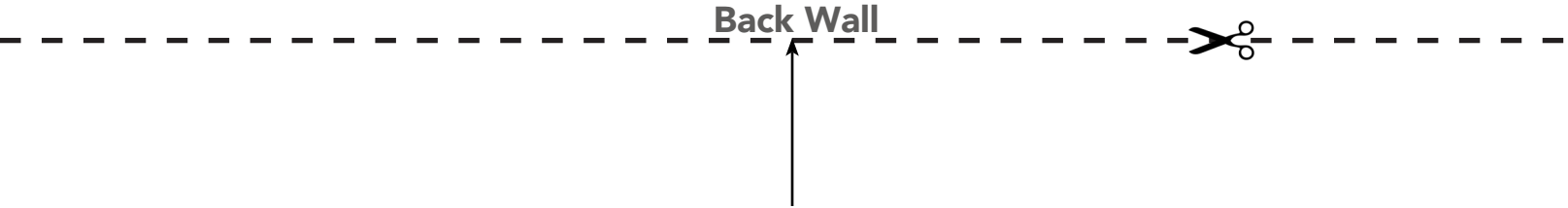
A hole at least **4" in diameter is required** on top of the counter in order to route and connect tubing from the Countertop Bevi unit. This hole also helps with under counter ventilation. Please see tubing drill hole template in this document.

Additional connecting holes may be required if multiple cabinets can be utilized.

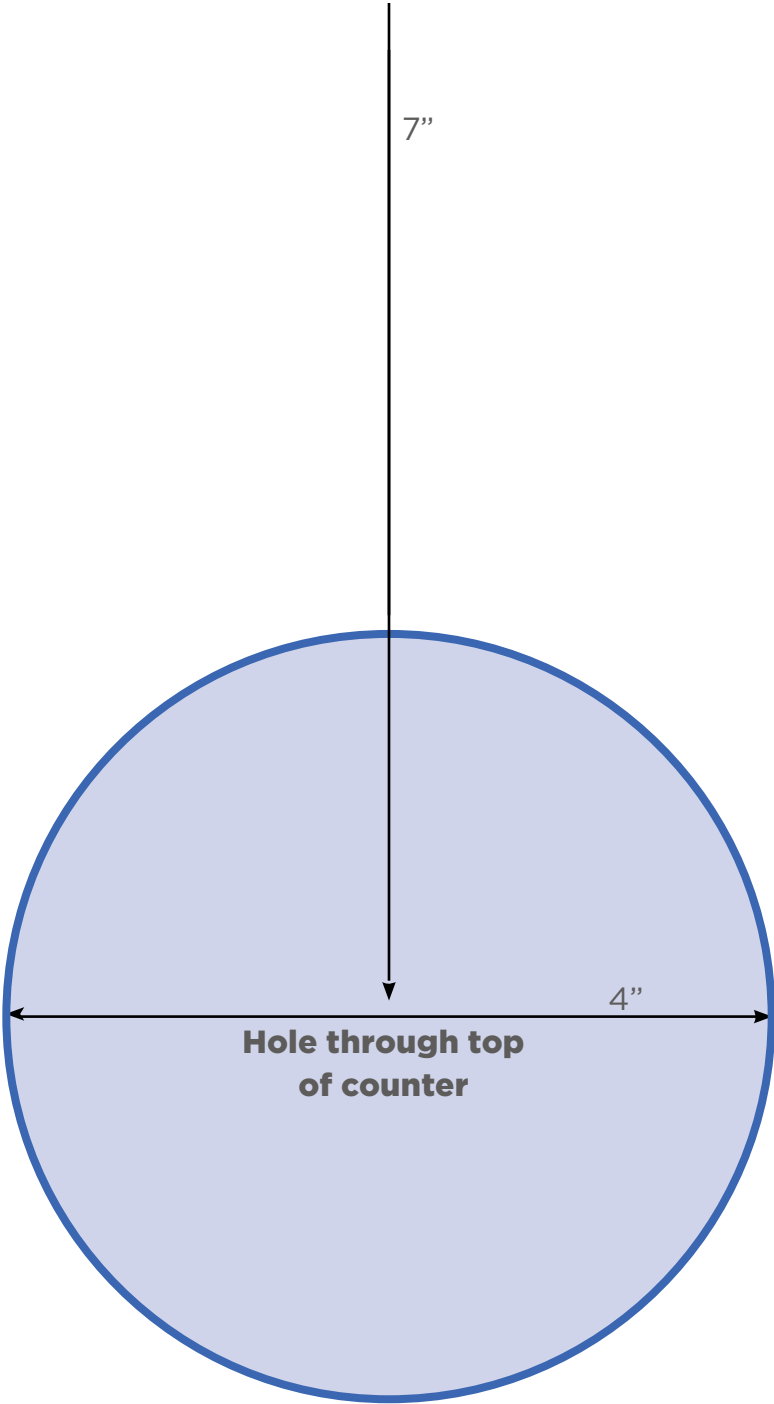
To allow for sufficient airflow, the cabinet where the carbonator is installed must have ventilation cutouts in the bottom of cabinets or added door vents. The ventilation cutouts or door vents must have a minimal combined surface area of 15 in<sup>2</sup>. See pre-installation checklist page for examples.



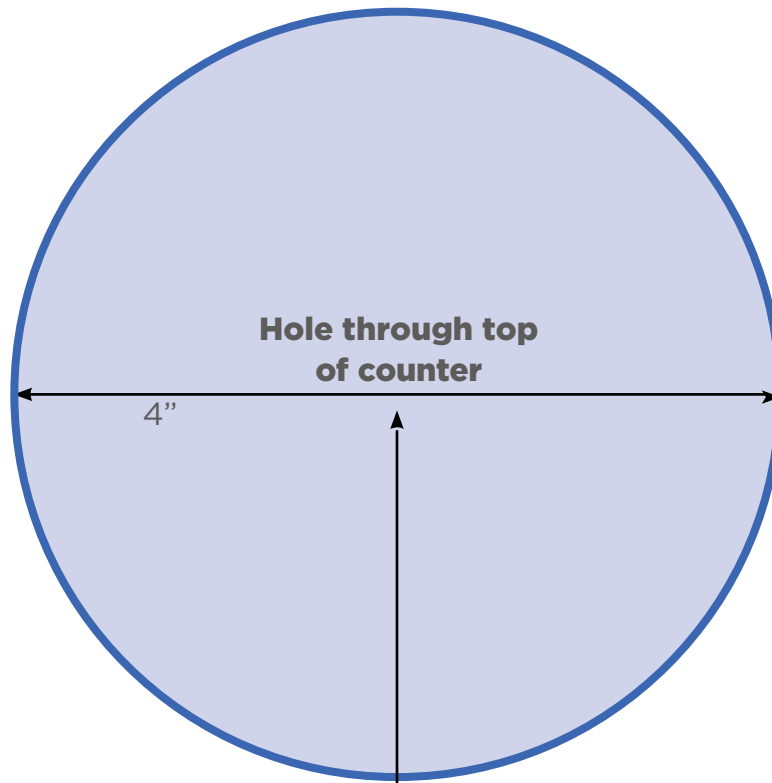
# Standard Installation Mounting Drill Hole Template



A minimum of 5" in distance is required between the back wall and the edge of the drilled hole, or 7" to the center of the drilled hole.



# ADA Compatible Mounting Drill Hole Template



7"

**The top of of the mounting surface MUST be 30 inches or lower to be ADA compatible**

**To meet the ADA reach requirement the center of the mounting hole should be 7" from the edge of the counter.**



**Counter Edge**

