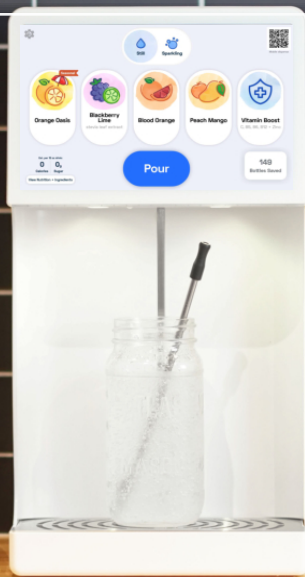




Still, sparkling, flavored, and enhanced water just the way you like it - on-demand and without the waste.



hydrate  
happy.®

bevi.co

# Get the Goodness of Bevi



## An amenity everyone loves

Water that delivers personalized flavor, well-being, and fun times in every pour.



## Unbottle the future

Every Bevi machine can save thousands of bottles and cans per year and delivers clean, filtered water without the plastic and extra waste.



## Cut your costs

With Bevi, you can reduce your beverage costs by up to 50% compared to bottled or canned water.



## Boost wellness

Stay hydrated and healthy with an array of naturally flavored, zero- and low-calorie beverage options and enhancements such as Focus Blend\*, Vitamin Boost, Energy Boost, or Electrolytes.

## The Countertop 1.5

### Bevi's new smaller yet mightier smart water dispenser for countertop spaces

With a sleek design that hides all the plumbing in your cabinet, available in both white and black, the Countertop 1.5 complements any kitchen aesthetic. Virtually all of the plumbing and hardware is integrated into the base cabinets.



# How it Works

## 1 Choose your water



Still



Sparkling

Select still or sparkling.

The water then passes through the advanced water filtration system, which is certified to NSF/ANSI Standards and can remove 99.99% of microplastics and contaminants.\*\*

## 2 Choose your flavors and enhancements



Electrolytes



Vitamin Boost



Energy Boost



Focus Blend\*



Grapefruit



Lemon



Coconut



Strawberry  
Lemongrass



Watermelon



Black Cherry



Blackberry Lime



Cucumber



Lime Mint



Peach Mango



Raspberry



Pomegranate  
Blueberry



Blood Orange



Key Lime

Handpick from a large variety of zero- and low-calorie beverage options made with natural flavors and natural enhancements.

Vegan, kosher certified, and gluten-free. Mix and match flavors and enhancements or add enhancements to plain water to create your favorite combinations. Combine up to three flavors or enhancements into any beverage at a time. Plus get surprised with limited edition seasonal flavors without occupying an extra concentrate slot throughout the year.\*\*\*

## 3 Enjoy!

\*Currently only available in the US.

\*\*When used with Bevi's recommended 3M HF20-i carbon filter. Filtered contaminants include bacteria, parasites, cysts, chlorine, and microplastics.

\*\*\*Limited-edition seasonal beverages will only show up on the screen if the flavors or enhancements that make up that seasonal offering are installed. Reach out to your Bevi sales representative to find out more.

# The Specs

Designed and assembled in the USA.

## Touchscreen

Our 10" touchscreen enables an intuitive and easy way to select and customize your drink.

## Touchless dispensing

Control your water dispenser from your phone—no app or configuration required. It's like magic.

## Refill Station

All bottles within 10" height fit easily into the dispenser area. With our single nozzle design, filling up is clean and easy.

## Smart Technology

Real-time remote monitoring means timely and easy refilling and maintenance. Plus on-screen and remote sustainability and usage reporting.

Supports WiFi (2.5GHz and 5GHz), ethernet, and cellular (built-in) connection. Machine needs to be connected to one of these options to enable smart functions of the Bevi.

## ADA Accessibility

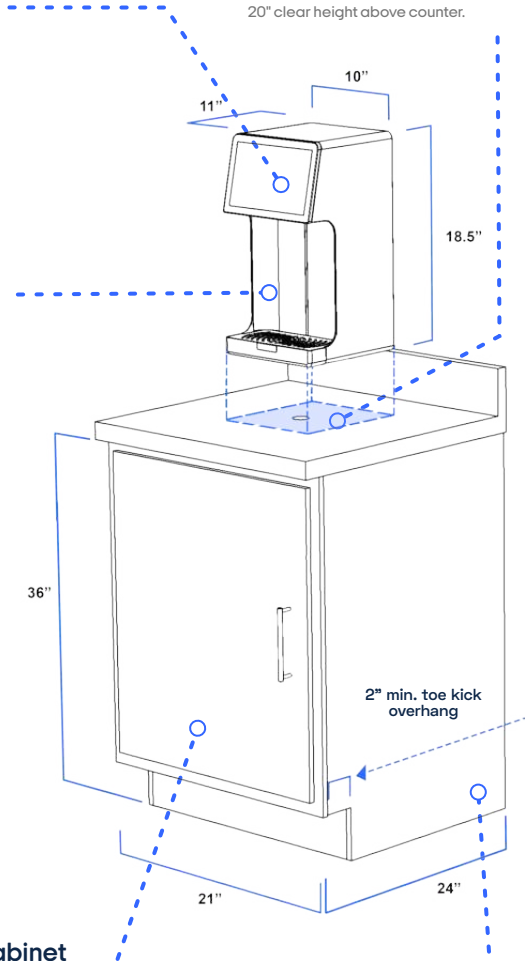
The Countertop 1.5 can meet ADA reach requirements.

The distance between the ground and counter must be 30" or less.

The Countertop 1.5 must be installed flush with the front edge of the counter.

## Hole in counter

A 1 1/4" diameter hole must be drilled through the top of the counter to allow routing of beverage tubing lines. Requires 20" clear height above counter.



## Minimum cabinet space requirements

Fits a standard single cabinet 21" W x 24" D x 36" H and requires a minimum 2" toe kick overhang. Interior clearance must be at least 18" W x 22" D x 22" H.

Floorless cabinets require a chiller ventilation stand (sold separately).

All dimensions are based on accommodating CO<sub>2</sub> tanks up to 10 lbs. For alternate layout configurations, please refer to the full installation guide.

## Water/power supply (within cabinet space)

110-120 VAC, 60 Hz, min 10A circuit breaker. GFCI protected 3 prong outlet (above countertop preferred).

Dedicated 3/8" plumbing line, rated for a minimum of 140 psi.

Minimum supply pressure of 40 psi and 4.0 liters per minute flow rate.

The background features several large, overlapping circles in shades of blue. A dark blue circle is in the top left corner. A light blue circle is in the bottom right corner. A dark blue circle is on the right side, overlapping the light blue one.

**hydrate  
happy.®**

The Bevi logo consists of a stylized blue circle with a white swoosh on the left side, followed by the word "bevi" in a lowercase, sans-serif font.

**bevi.®**