



The Countertop 1.5

With a sleek design that hides all the plumbing in your cabinet, available in both white and black, the Countertop 1.5 complements any kitchen aesthetic. Mix still or sparkling water with zero- and low-calorie flavors and uplifting functional enhancements, or additional surprise limited-edition seasonal beverage options*.



Features you'll love



Customize your drink

Choose still or sparkling, slide a button to boost the ingredient strength, and mix up to 3 flavors and enhancements into your beverage at a time.

We recommend a configuration of 3 flavors and 1 enhancement. Ask about our Starter Packs to help you get started.



Let us do the work

Real-time remote monitoring means timely and easy refilling and maintenance. So you can make sure the bubbles and fun never stops.



Nothing to see here

Compact design hides all the plumbing neatly in your cabinet.



Advanced water filtration

The high-end filtration system is certified to NSF/ANSI Standards and can remove 99.9% of microplastics and contaminants.**



Refill station

Room for bottles up to 10" tall makes filling up clean and easy.

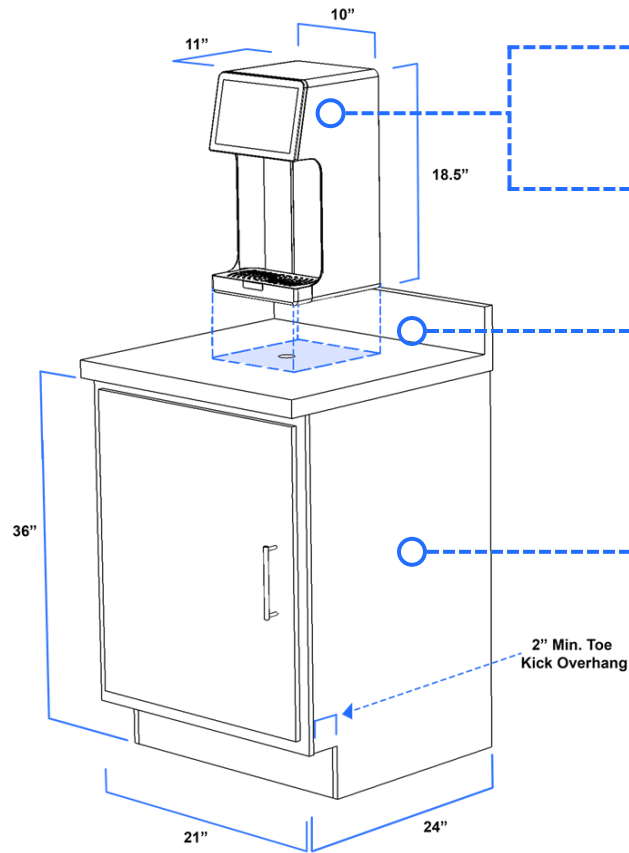
*Limited-edition seasonal beverages will only show up on the screen if the flavors or enhancements that make up that seasonal offering are installed. Reach out to your Bevi sales rep to learn more.

**When used with Bevi's recommended 3M HF20-i carbon filter. Filtered contaminants include bacteria, parasites, cysts, chlorine, and microplastics.

Site Requirements

To be verified prior to installation

Questions? Contact support@bevi.co



Plumbing

- Dedicated 3/8" plumbing line, rated for a minimum of 140 psi
- Minimum supply pressure of 40 psi and 4.0 liters per minute flow rate

Electrical

- 110-120VAC, 60 Hz, min 10A circuit breaker
- GFCI protected 3 prong outlet

Counter space

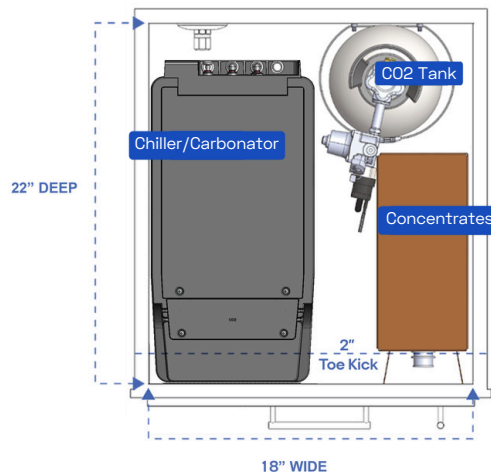
- 1-1/4" diameter hole in the counter, directly over the placement of chiller/carbonator. Requires 20" clear height above counter

Internet connection

- Supports WiFi (2.5GHz and 5GHz), ethernet, and cellular (built-in) connection. Machine needs to be connected to one of these options to enable smart functions of the Bevi.

Cabinet space

- Fits a standard single cabinet 21" W x 24" D x 36" H and requires a minimum 2" toe kick overhang. Interior clearance must be at least 18" W x 22" D x 22" H.
- Floorless cabinets require a chiller ventilation stand (sold separately).
- All dimensions are based on accommodating CO₂ tanks up to 10 lbs. For alternate layout configurations, please refer to the full installation guide



Certifications

Electrical Safety

- UL 1951 - Standard for Safety Electrical
- UL 399 - Standard for Drinking-Water Coolers
- CSA C22.2 - Refrigeration Equipment

Sanitation

NSF/ANSI 18

Accessibility

- The Countertop 1.5 can meet ADA reach requirements.
- The distance between the ground and counter must be 30" or less.
- The Countertop 1.5 must be installed flush with the front edge of the counter.