



Rev. 1 (revision 1)

[Guide] V1.0 Countertop Overview

Overview

This document provides various dimensions of the V1.0 Countertop unit along with identification of high-level components.

Frequently Asked Questions

Q: Where are all the components located for the countertop unit?

A: *The components required for the installation of a countertop unit are placed in the cabinets at a customer site. Depending on the size of the cabinets, it requires either one or two cabinets. For more detailed information on cabinet sizing, see the install guide.*

Questions Answered in this Document

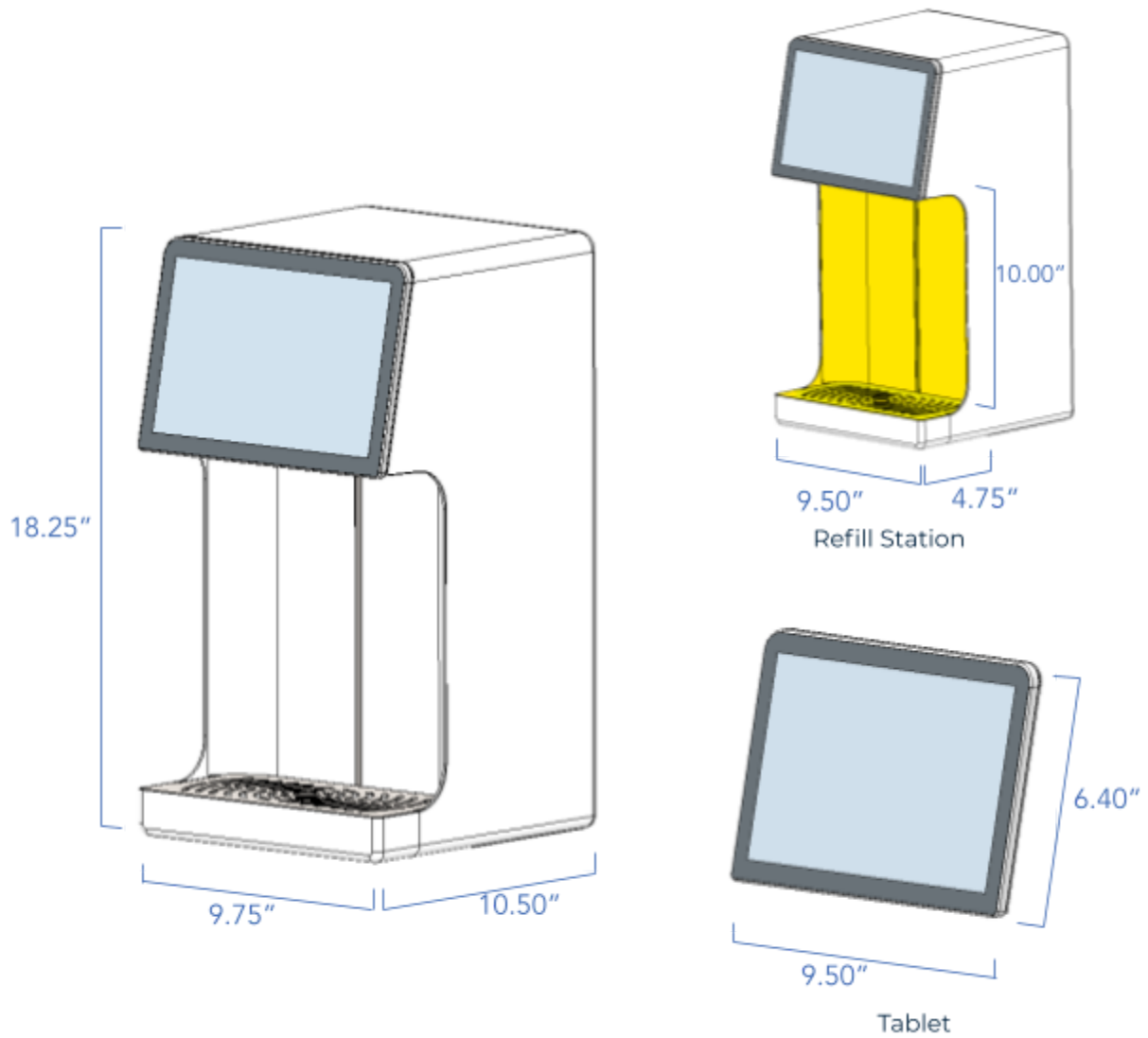
Q: [What are the overall dimensions for the countertop unit?](#)

Q: [What is a high level overview of the countertop components?](#)

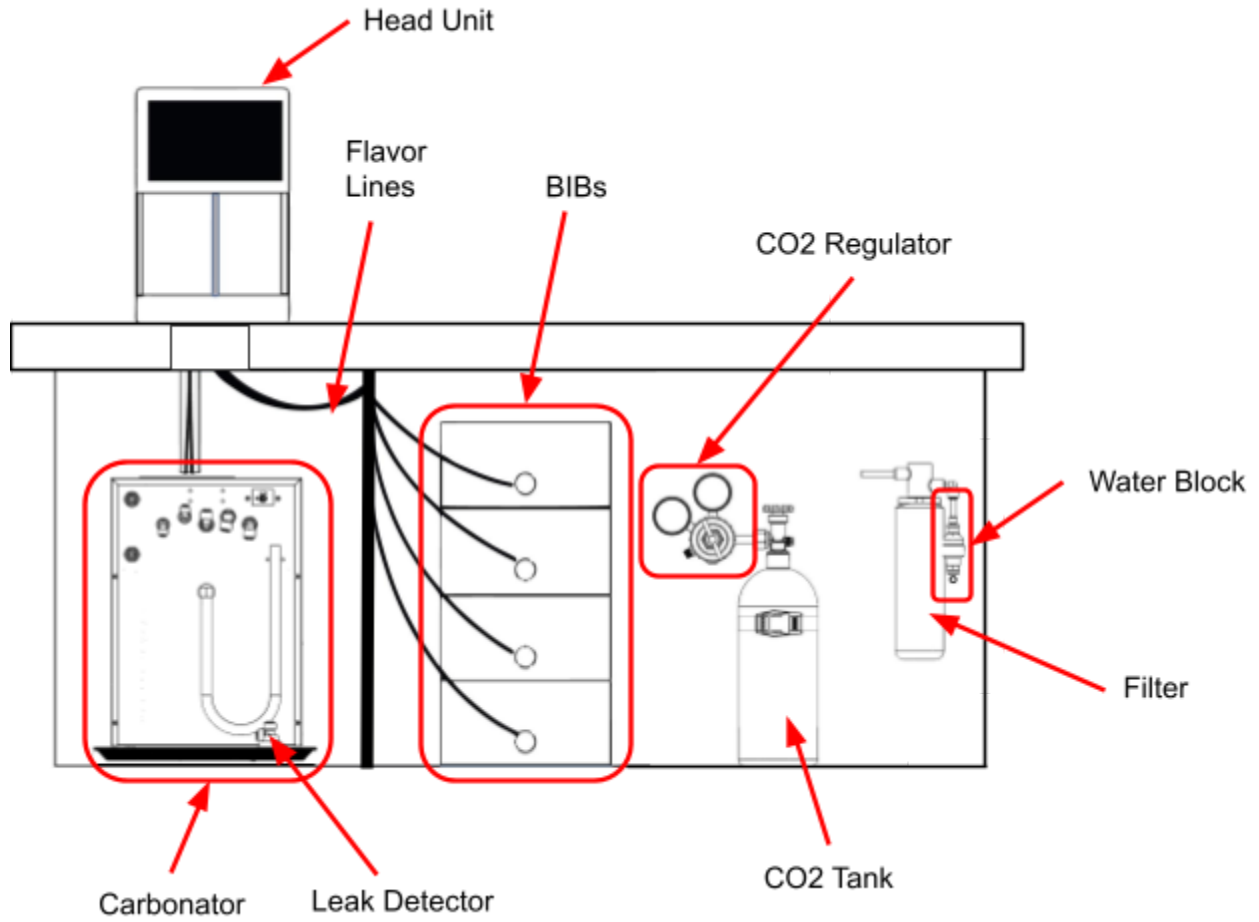
Q: [Where is the unit serial number located?](#)

Q: [What are the main components on the carbonator?](#)

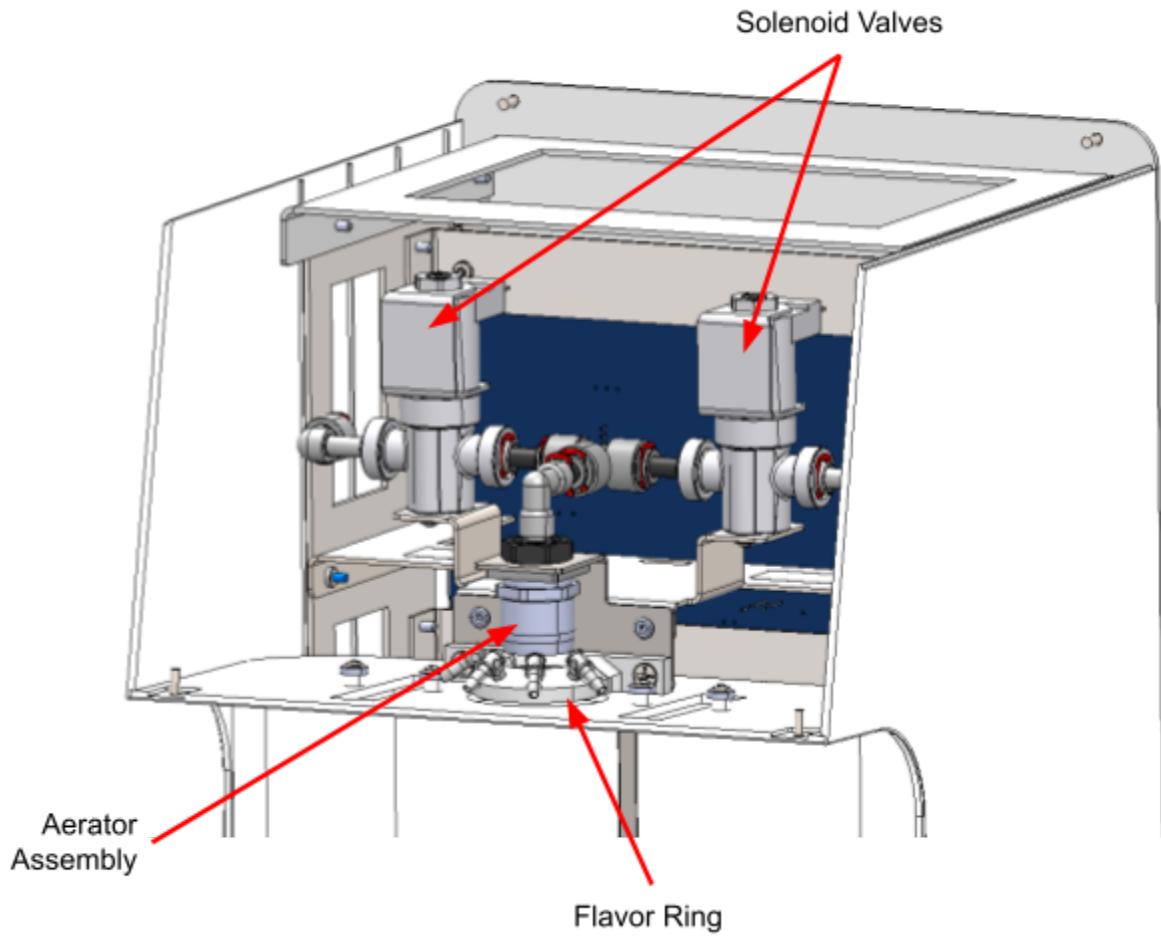
Overall Dimensions:



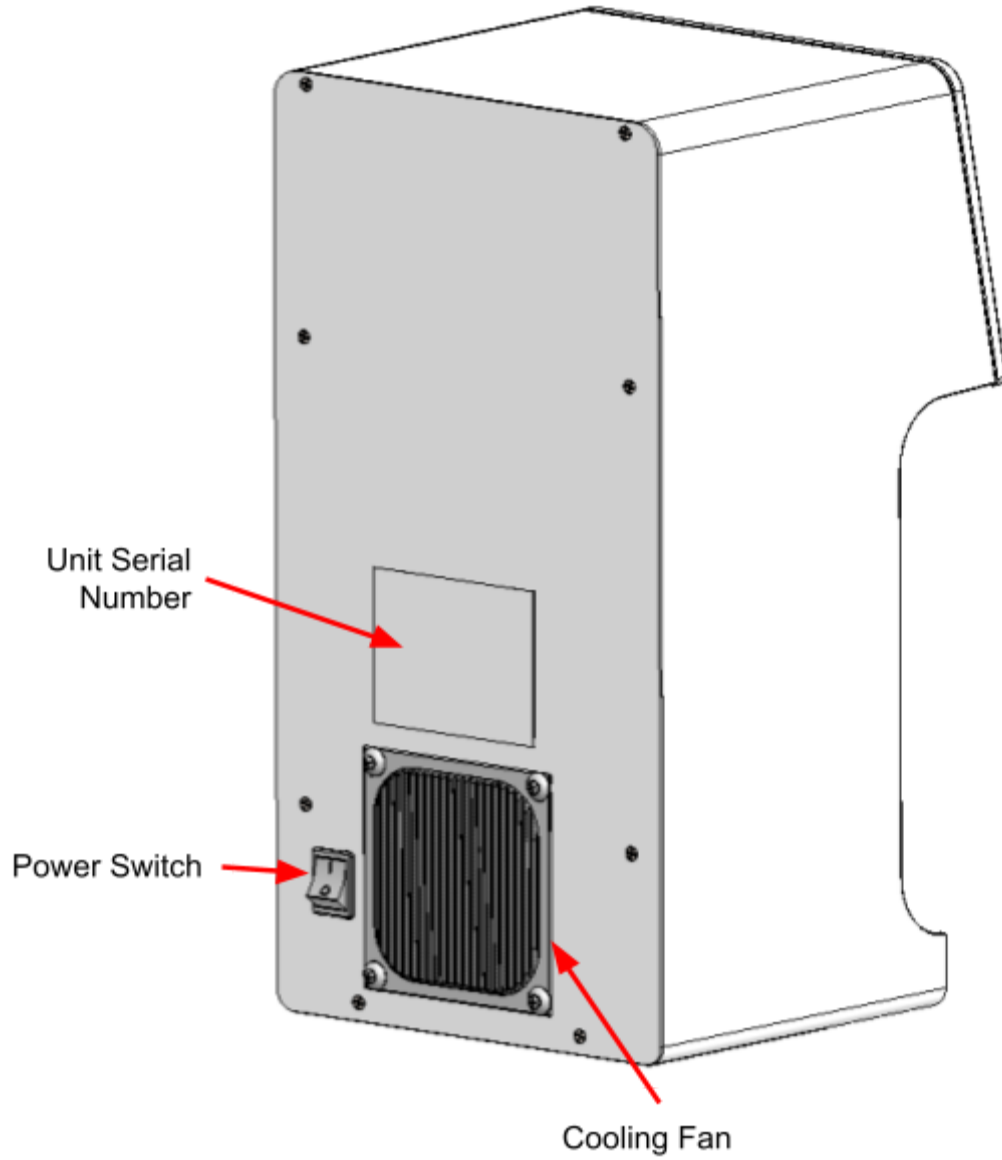
Component Overview



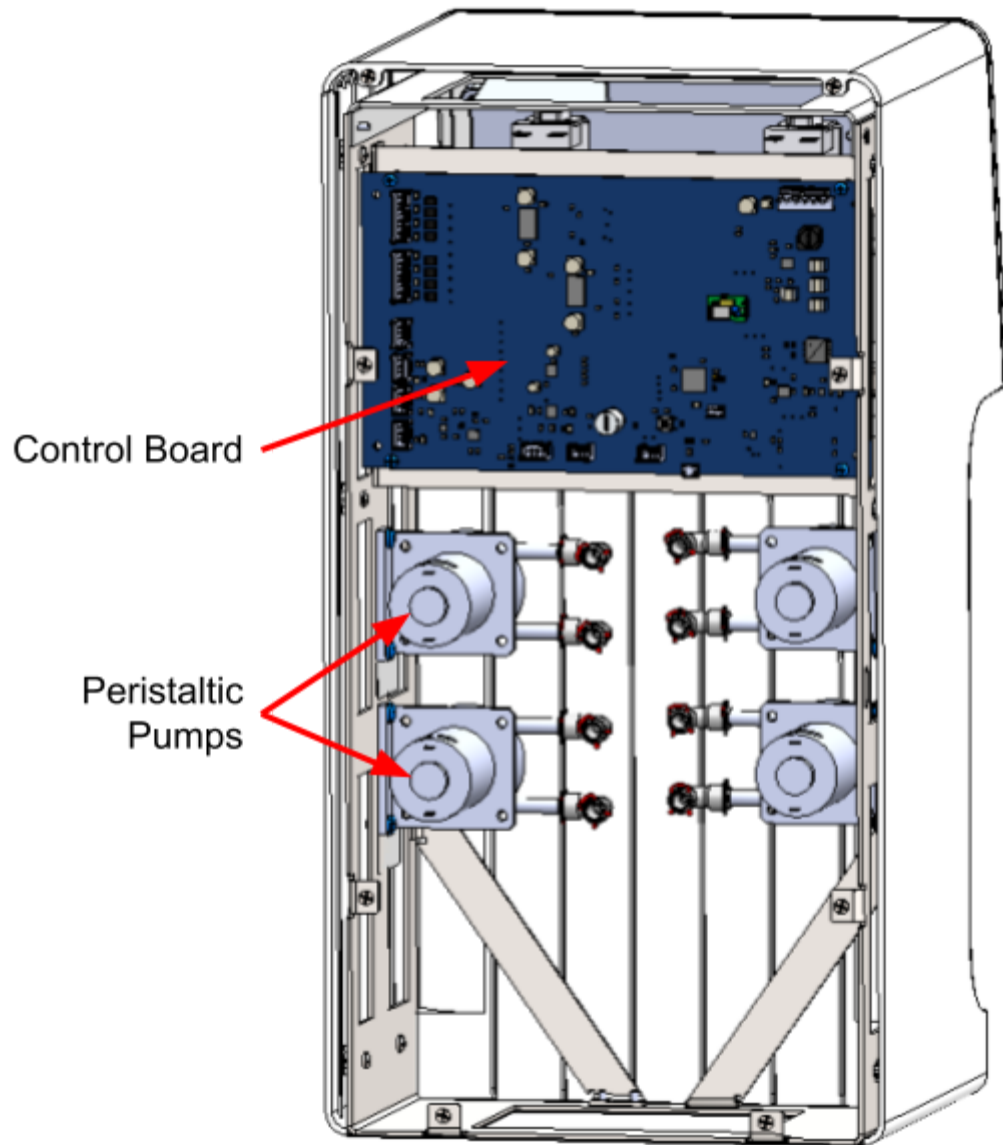
Head Unit Front Overview (Touchscreen and Top Removed for Clarity):



Head Unit Rear View:



Head Unit Interior Rear View (Back Panel Removed for Clarity):



Carbonator Overview:

