

Bevi 2.0 Pre-Install Overview

Overview

This document provides an overview of the 2.0 Standup unit and install requirements.

Installation Requirements

Plumbing

- 3/4" flexible water supply line
- Minimum pressure 40 psi (max 100 psi)
- Minimum flow rate of 2.5 liters per minute (0.66 gpm)

Electrical

- 115 VAC, 60 Hz, 12A max current
- Grounded, 3-prong outlet

Internet Connection

- A 2.4GHz wireless or Ethernet connection

Physical Unit

- Unit weighs approximately 250 lbs empty and 350 lbs fully stocked

See additional pages for details of unit dimensions and space requirements

Basic Components
Exterior



Rev. 1 (revision 1)



Basic Components
Interior



Rev. 1 (revision 1)

Restock Instructions

Flavors

Water Filter

Restock Board

Co2 Tank

Acceptable Sizes:

· 5, 10 & 20 Lb



Overall Dimensions



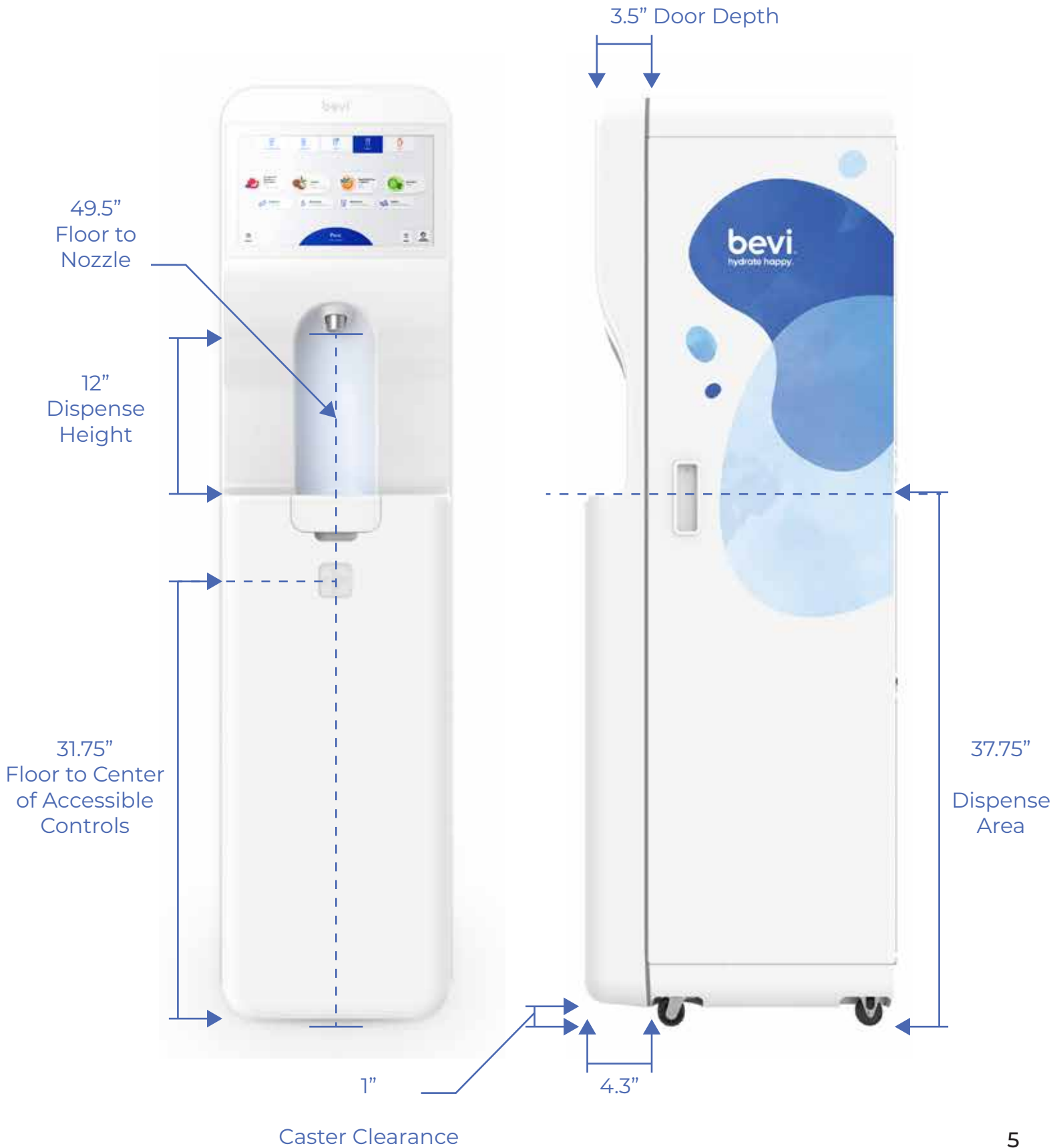
Rev. 1 (revision 1)



Door Dimensions



Rev. 1 (revision 1)



Minimum Clearance



Rev. 1 (revision 1)

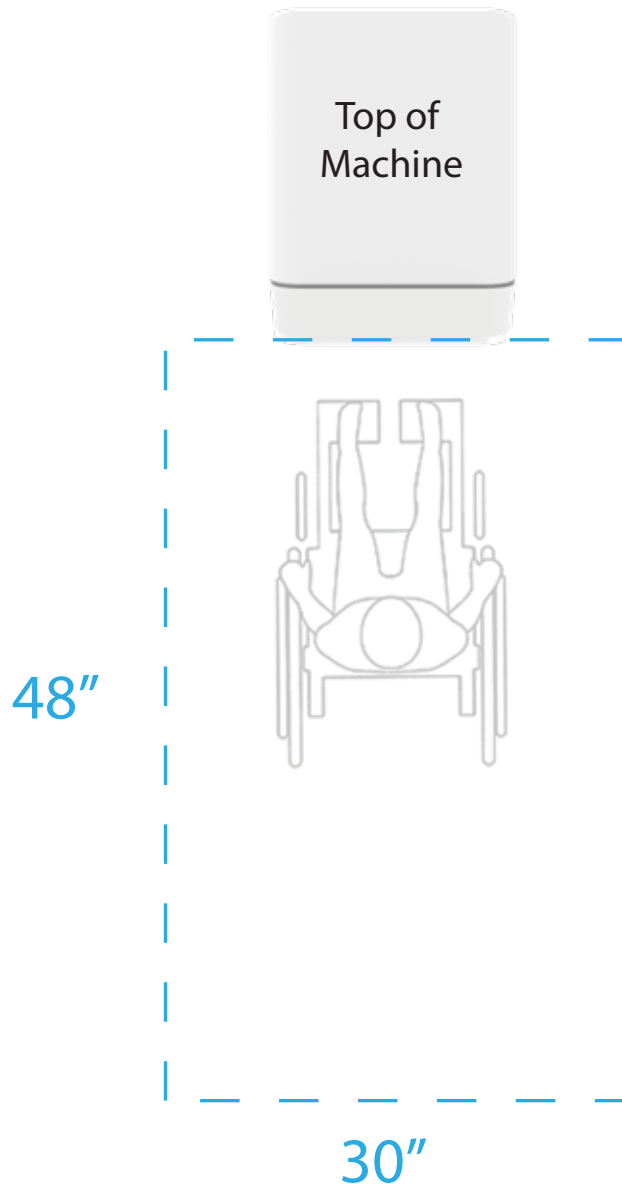


Minimum Clearance

ADA Compliance

In order for the a Bevi Standup 2.0 to be considered ADA compliant in regards to physical requirements, it must be installed such that:

The floor space in front of the machine must be clear by at least 30" by 48" to allow for a forward or parallel approach. See Figure below:



Screen Dimensions



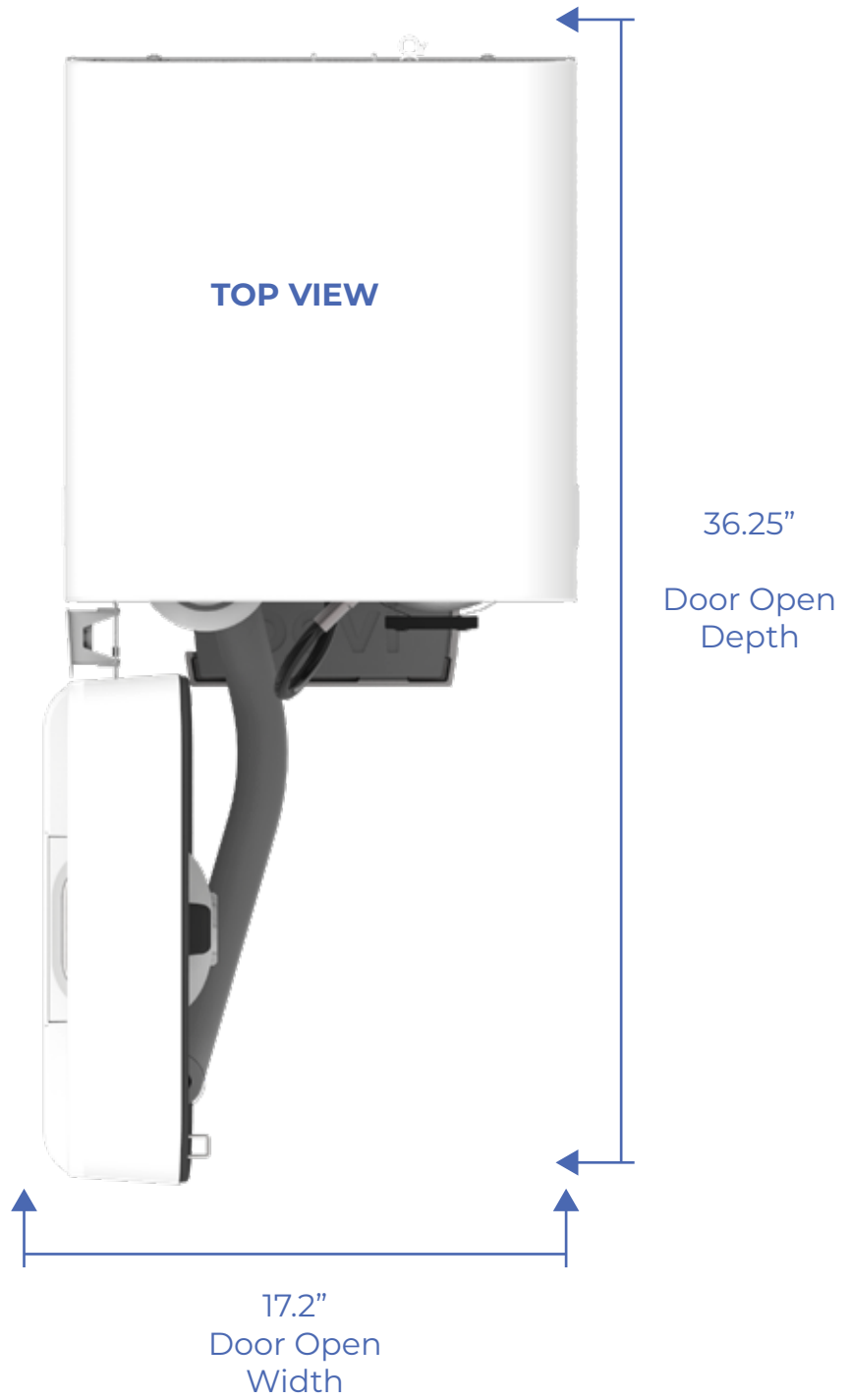
Screen 13.675" x 7.75"

15.6" Display

Door Open Dimensions



Rev. 1 (revision 1)



Back of Unit Features & Dimensions



Rev. 1 (revision 1)

